

⚠ WARNING: May result in serious injury or death. Turn off power at circuit breaker before installing the unit.

Attention: pour éviter un incendie, un choc électrique ou la mort. Coupez l'alimentation au disjoncteur ou au fusible et testez que l'alimentation est coupée avant le câblage

To be installed and/or used in accordance with appropriate electrical codes and regulations. Exercise extreme caution when using BlueMesh devices to control appliances. Operation of the BlueMesh device may be in a different room than the controlled appliance, also an unintentional activation may occur if the wrong button on the remote is pressed. BlueMesh devices may automatically be powered on due to timed event programming. Depending upon the appliance, these unattended or unintentional operation could possibly result in a hazardous condition.

BlueMesh enabled devices should never be used to supply power to, or control the On/Off status of medical and/or life support equipment.

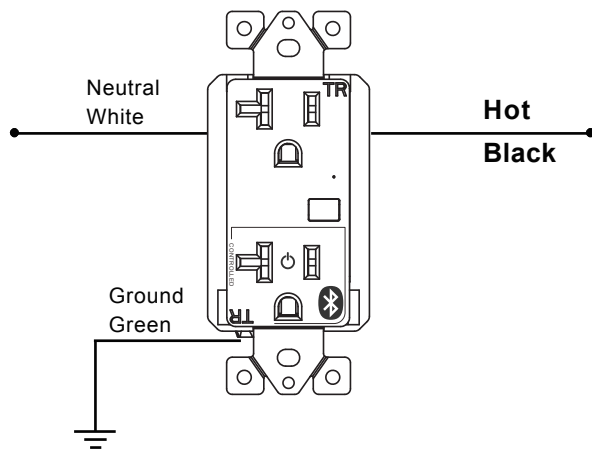
If you are unsure or uncomfortable about performing the installation, please consult a qualified electrician.

INSTRUCTIONS

This receptacle may be used in new installations or to replace an existing wall receptacle.

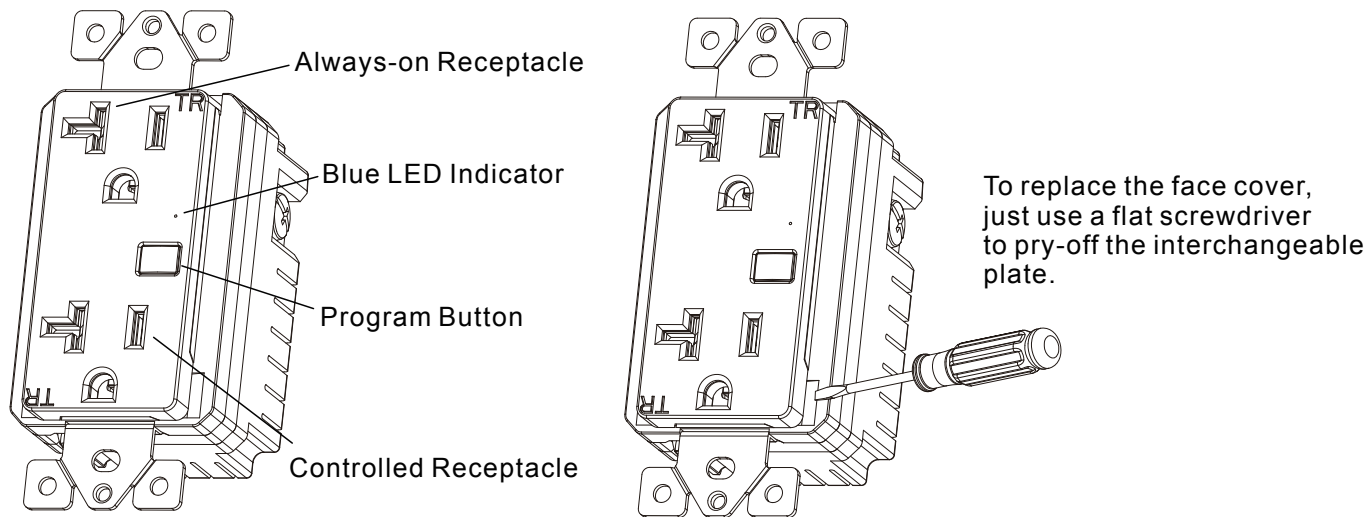
- Wire Strip Length: 16 mm (5/8 in.)
- The device shall install in a standard outlet box.
- For retrofit applications, remove wall plate.
- Verify power is OFF before continuing.
- Remove the existing receptacle from the box.
- Disconnect the wiring from the existing receptacle.
- Connect the BMWC-L20R receptacle as shown in the wiring diagram: Black lead to hot wire, white lead to neutral wire, green lead to ground wire.
- Check connections to be sure they are tight and no bare conductors are exposed.
- Insert the BMWC-L20R receptacle into the outlet box carefully.
- Make sure the BMWC-L20R receptacle to the box using the supplied screws.
- Attach the wall plate.
- Restore power at the circuit breaker and test the system.

WIRING



OPERATION

This receptacle may be used in new installations or to replace an existing wall receptacle.



Always-on Receptacle: always connected, not be controlled by button or APP, switch or program button.

Controlled Receptacle: can be turned on/off by BlueMesh APP, switch or program button.

Blue LED indicator: flashes on powering on or receiving wireless commands.

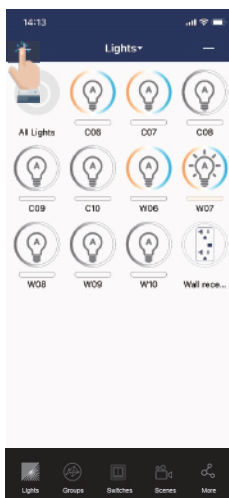
Program Button:

Short press: turn on/off controlled receptacle.

Long press for 6 seconds: reset the controller to factory setting to be ready added by BlueMesh APP. You will hear gentle clicks of the relay when the controller being reset.

ADD THE CONTROLLER TO BLUEMESH APP

Go to Lights page on BlueMesh APP, click the '+' button to start adding the controller. Check the controller, click "Add" and confirm to add in the dialog box to add the controller. Please reset the controller if it does not show up in the process.



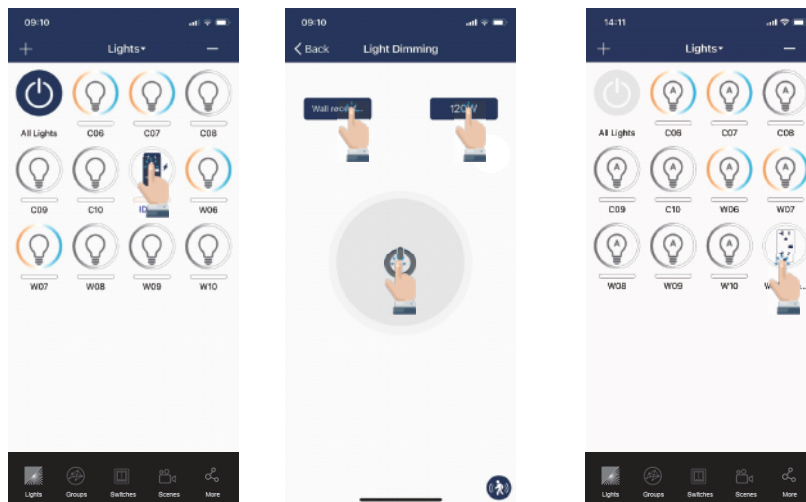
NAMING AND TURNING ON/OFF

Long press the controller icon on Lights page to bring out the dimming page.

You may rename the controller, input the wattage of the load, and turn on/off the controller.

You may click the icon on Lights page to turn on/off the controller. The icon shows the current status of the controller.

You may also add the controller into a group, associate it with switches, schedules to manually or automatically turn on/off it.



GROUPING AND LINKING WITH OTHER BLUEMESH SENSORS

Click the sensor setting button on controller's dimming page.

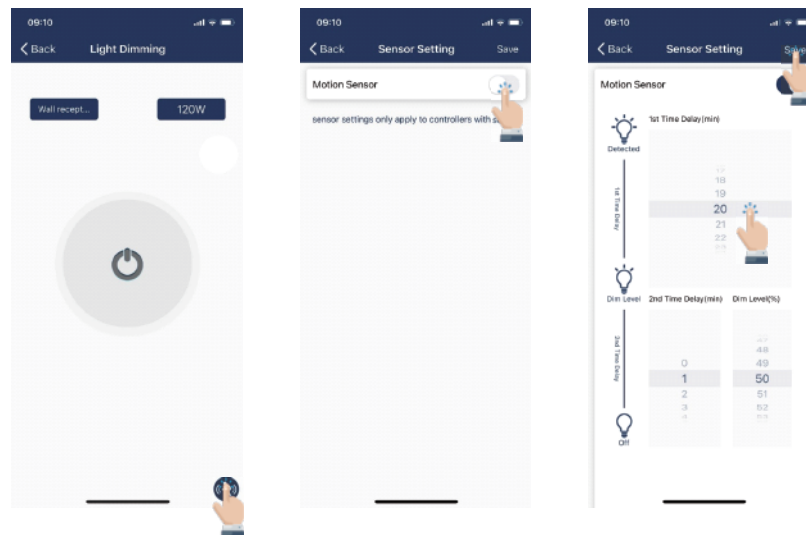
Enable the motion sensor function for the controller.

Set the appropriate parameters and click 'Save' to send it to the controller.

You may also add the controller to a group with other sensors, enable linkage so it can be automatically controlled by motion sensors in the same group.

You need to follow the steps to:

- Enable the motion function on controller.
- Add the controller to a group with other sensors.
- Set the sensor parameters for the sensors and controller.
- Enable the linkage for this group.

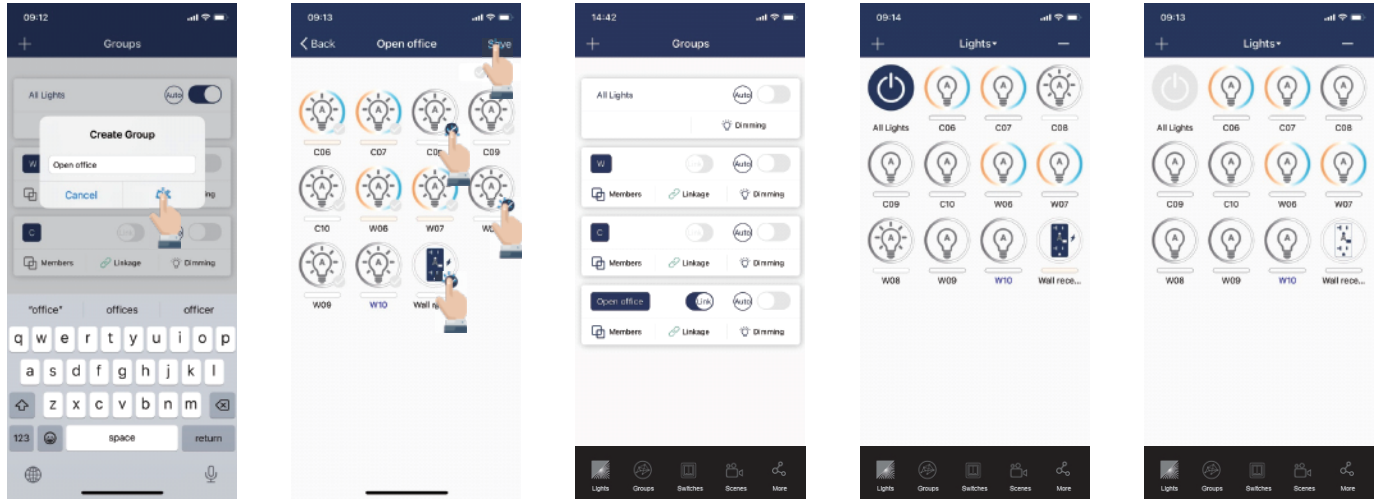


GROUPING AND LINKING WITH OTHER SENSORS

Create a group, check the members of this group and save it. Set the appropriate linkage level and enable the 'Link' on this group.

Now when the sensors in this group is triggered, the controller will be linked to turn on. It will be turned off when sensors timed out.

There is an 'A' in the icon to indicate that the controller is in "auto" mode and controlled by sensors.



WARRANTY

Our company warranties this product to be free of defects in materials and workmanship for a period of five(5) years. There are no obligations or liabilities on the part of our company for consequential damages arising out of, or in connection with, the use or performance of this product or other indirect damages with respect to loss of property, revenue or profit, or cost of removal, installation or reinstallation.